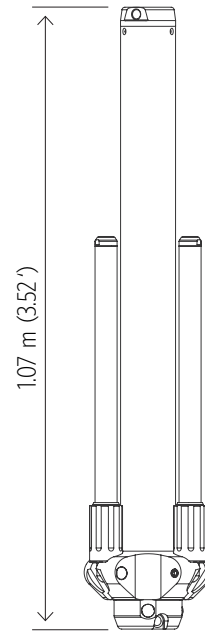
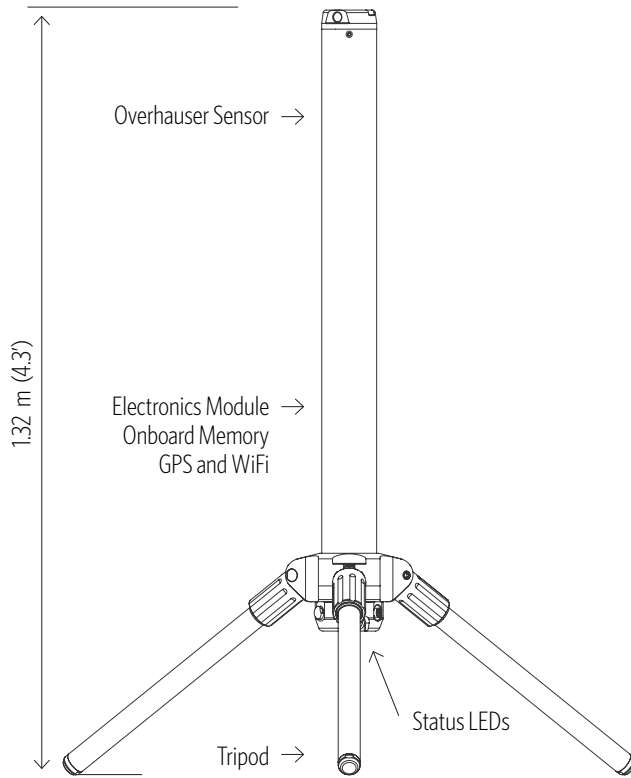


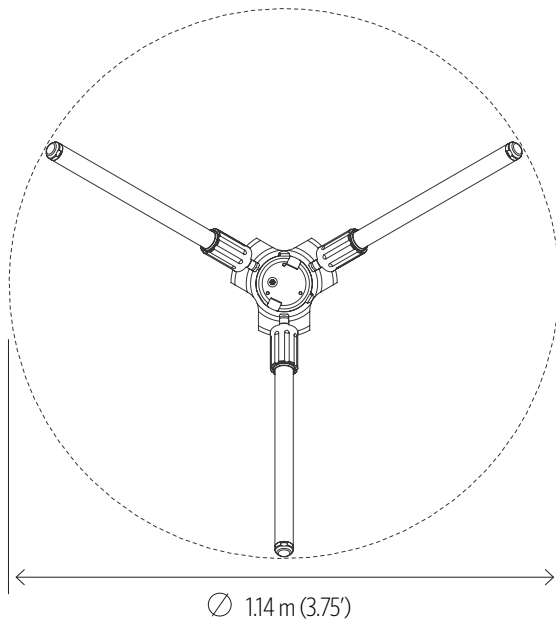
Sentinel2 (Land/Sea) Base Station:



Side View, Folded

Sentinel 2 Base Station

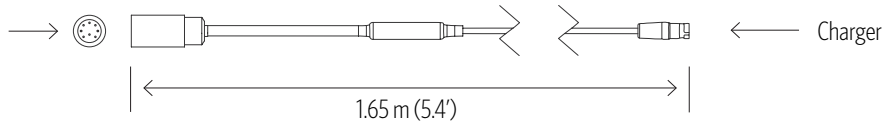
15.2 kg (33.5 lbs) in air, 4.3 kg (9.5 lbs) in water (Neutrally buoyant without tripod)
Max depth rating: 1000 m



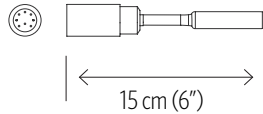
Top View

Sentinel2 Base Station Includes:

Male 8-pin Subconn Inline
Micro Circular Connector
connects to Sentinel2

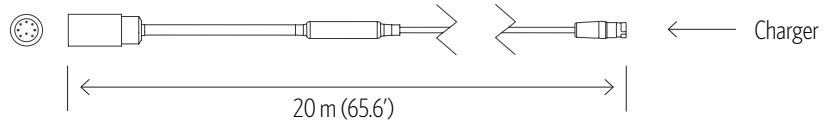


Charging Cable



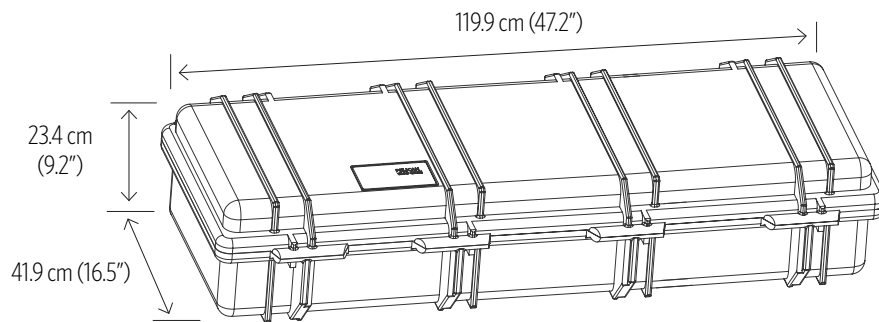
Mag Key

Waterproof On/Off Dongle



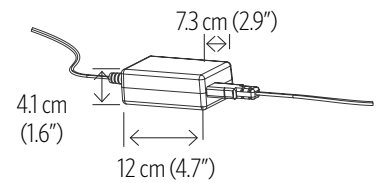
Optional accessory: External Power Operating Cable

(For land use only)



Shipping Case Pelican iM3220

Empty Case w/ Foam: 11 kg (24.7 lbs)
Shipping Weight: 26.1 kg (57.5 lbs)



**Universal AC Input
Battery Charger**

227 g (0.5 lbs)