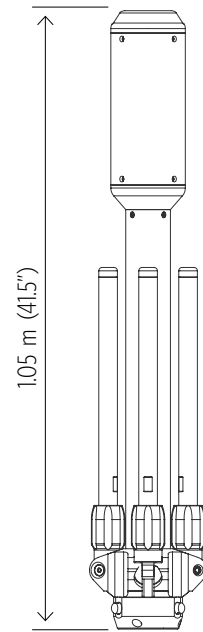
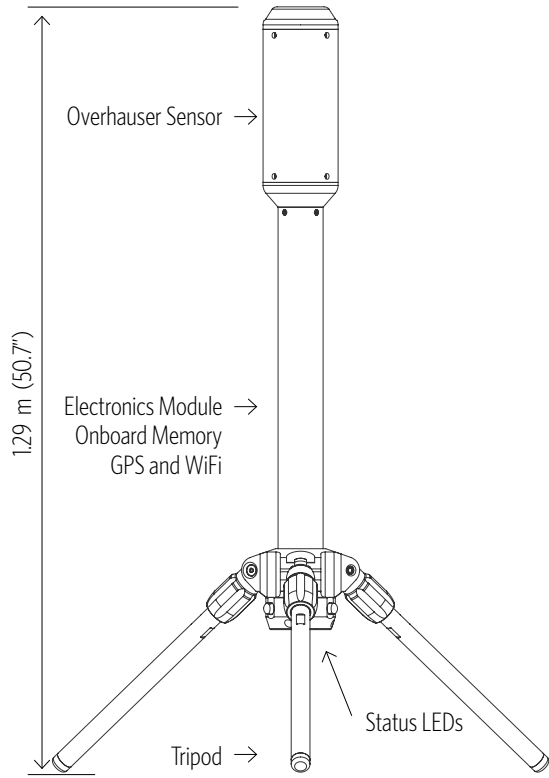


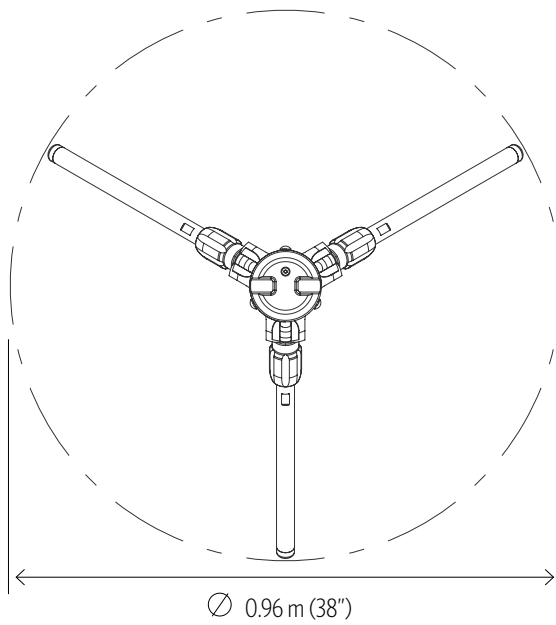
# Sentinel2 (Land/Sea) Base Station:



**Side View, Folded**

## Sentinel 2 Base Station

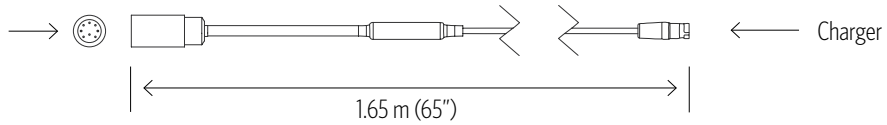
17.7 kg (39 lbs)  
Max depth rating: 1000 m



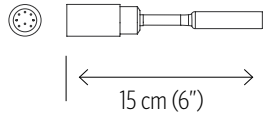
**Top View**

# Sentinel2 Base Station Includes:

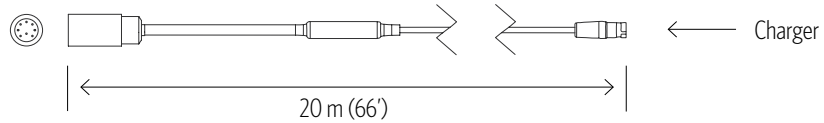
Male 8-pin Subconn Inline  
Micro Circular Connector  
connects to Sentinel2



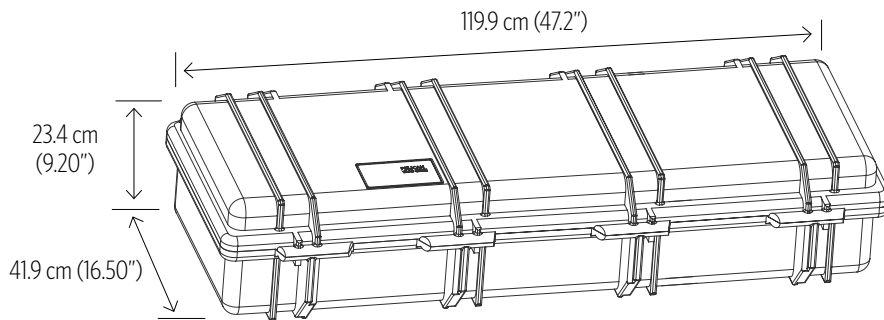
**Charging Cable**



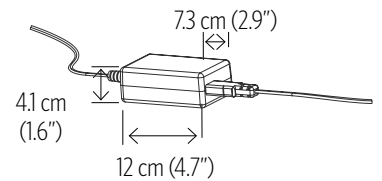
**Mag Key**  
Waterproof On/Off Dongle



**Optional accessory: External Power Operating Cable**  
(For land use only)



**Shipping Case Pelican iM3220**  
Empty Case w/ Foam: 11 kg (24.7 lbs)  
Shipping Weight: 28.6 kg (63 lbs)



**Universal AC Input  
Battery Charger**  
227 g (0.5 lbs)